

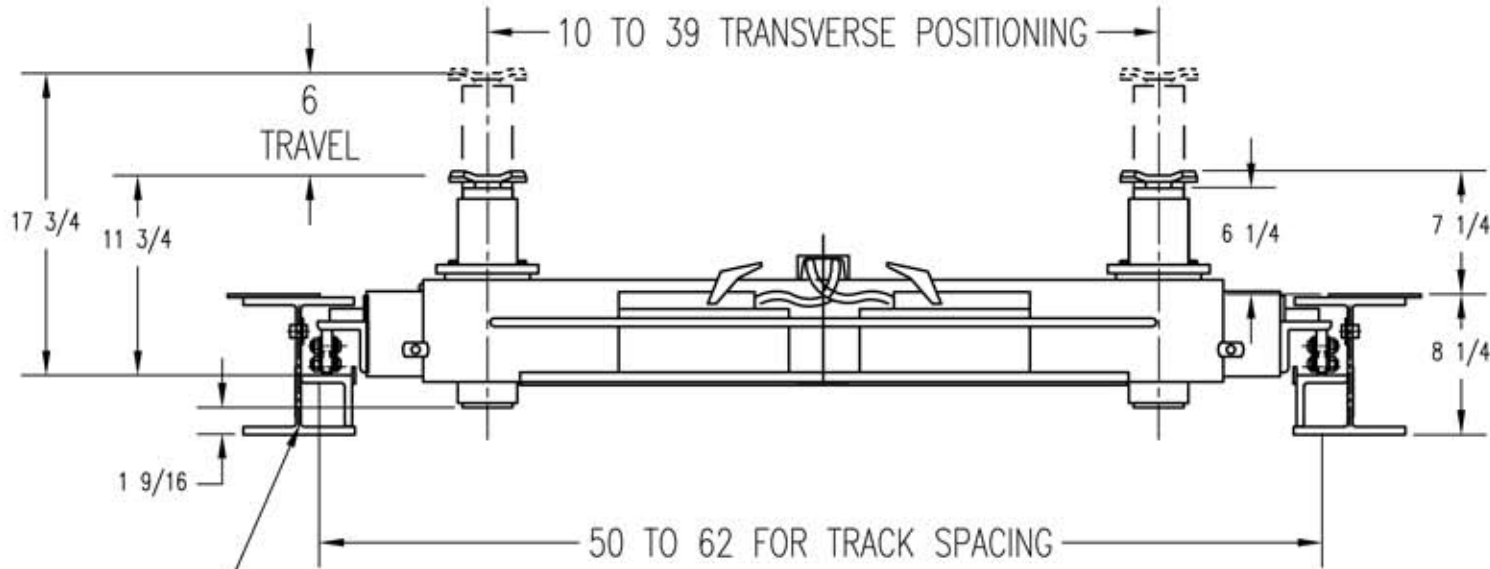
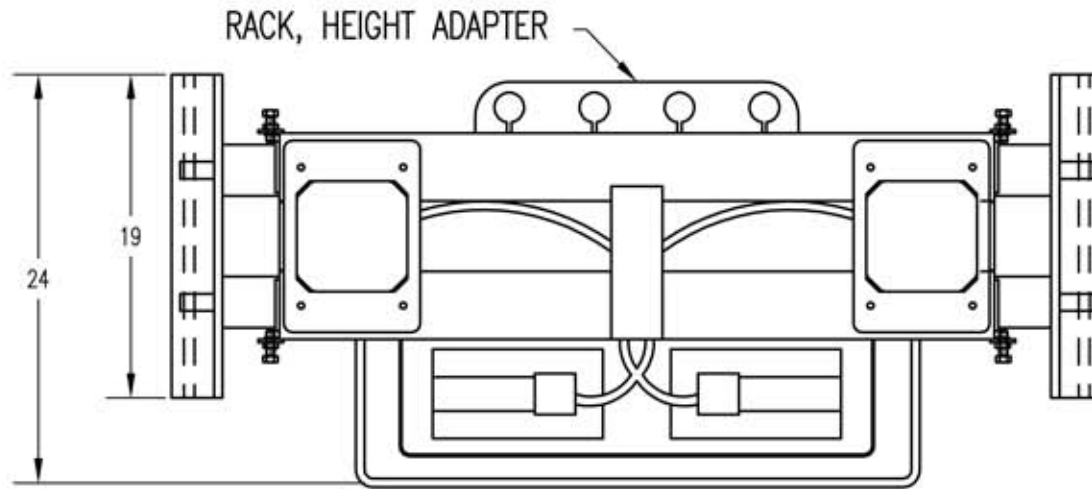
North American Auto Equipment  
424 East Washington Street  
North Attleboro, MA 02760  
866-607-4022

# 12.5 TON DUAL AIR POWERED ROLLING BRIDGE JACK

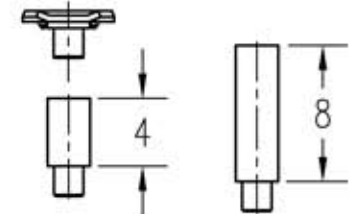
Dual Ram or Independent operation.  
Allowing Versatility Transverse Positioning  
Safe Reliable Air Over Hydraulic Design  
Jack Brake with Spring Loaded Rollers  
For Quick & Easy Positioning

## AHJ-25

EQUIPPED WITH ONE SET SWIVEL PADS  
4" & 8" HEIGHT ADAPTERS



TYPICAL GR-50 TRACK PROFILE  
CUSTOM JACK BRAKES AVAILABLE  
TO FIT MOST 4 POST TRACKS



sales@naautoequipment.com  
www.naautoequipment.com

